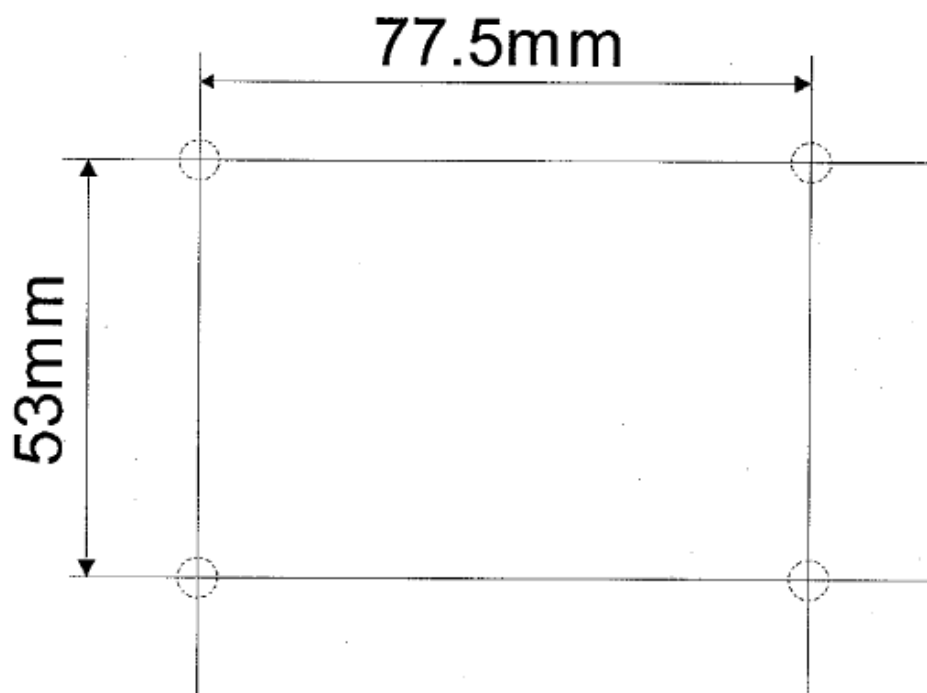


Befestigungsschablone für Shocklog 298



Drill $\varnothing 10.2/10.5 \times 17\text{mm}$ deep min if using the Flex Lock AV fasteners.
(Part of fixing kit – order code 40400MK)
Alternatively drill/tap to suit M5 fixings